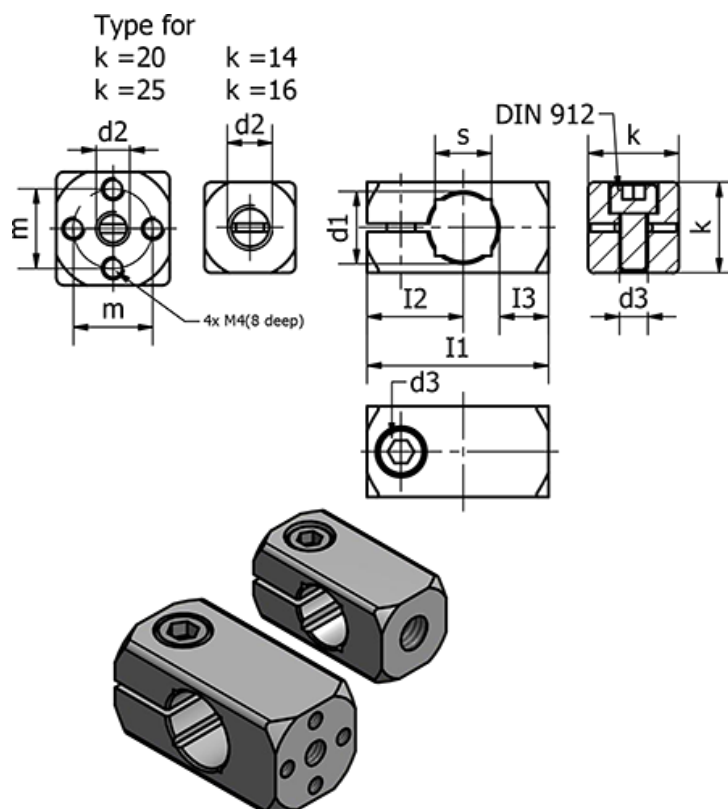


Article number: 20478B12M5ELS

Description: E+G Clamp mounting - GN 478-B12-M5-ELS

## Measures



Clamping kit for  $d2 = GN 511-M5-16$

$d1$  h11 = 12  
 $d2$  = M5  
 $d3$  = M5  
 $I1$  = 32  
 $I2$  = 17  
 $I3$  = 9  
 $k$  = 16

$m$  =  
 $s$  = 10  
 Weight (g) = 16